

Martin's Midge

3.2" Wingspan, 0.98 grams
 Martin Newell, August 2005

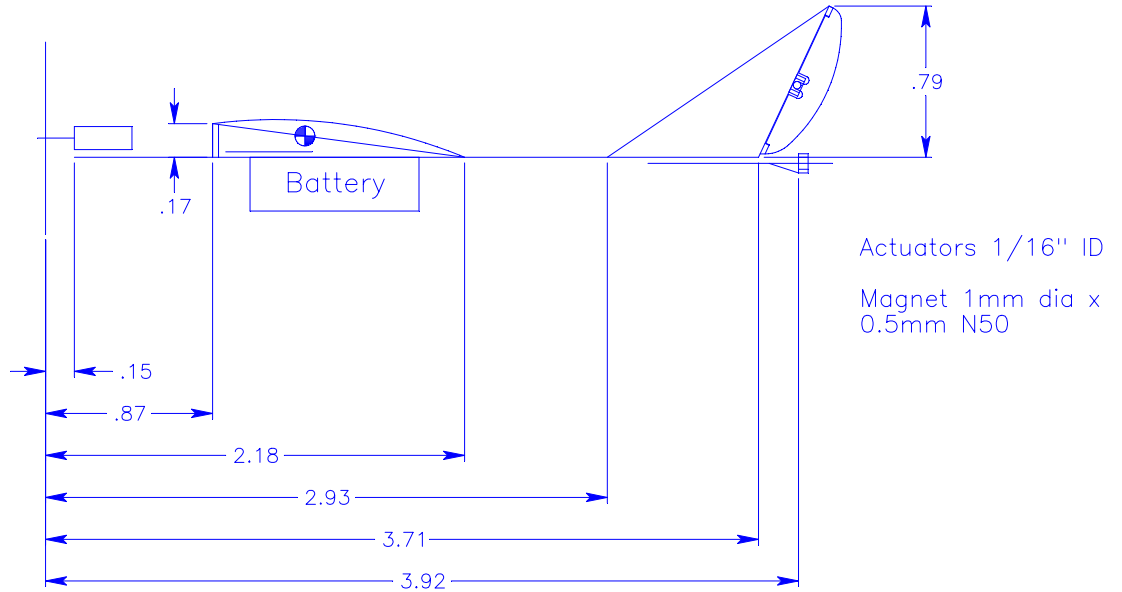
All dimensions in inches
 Drawing scale 1:1

Fuselage stick
 0.010 carbon rod

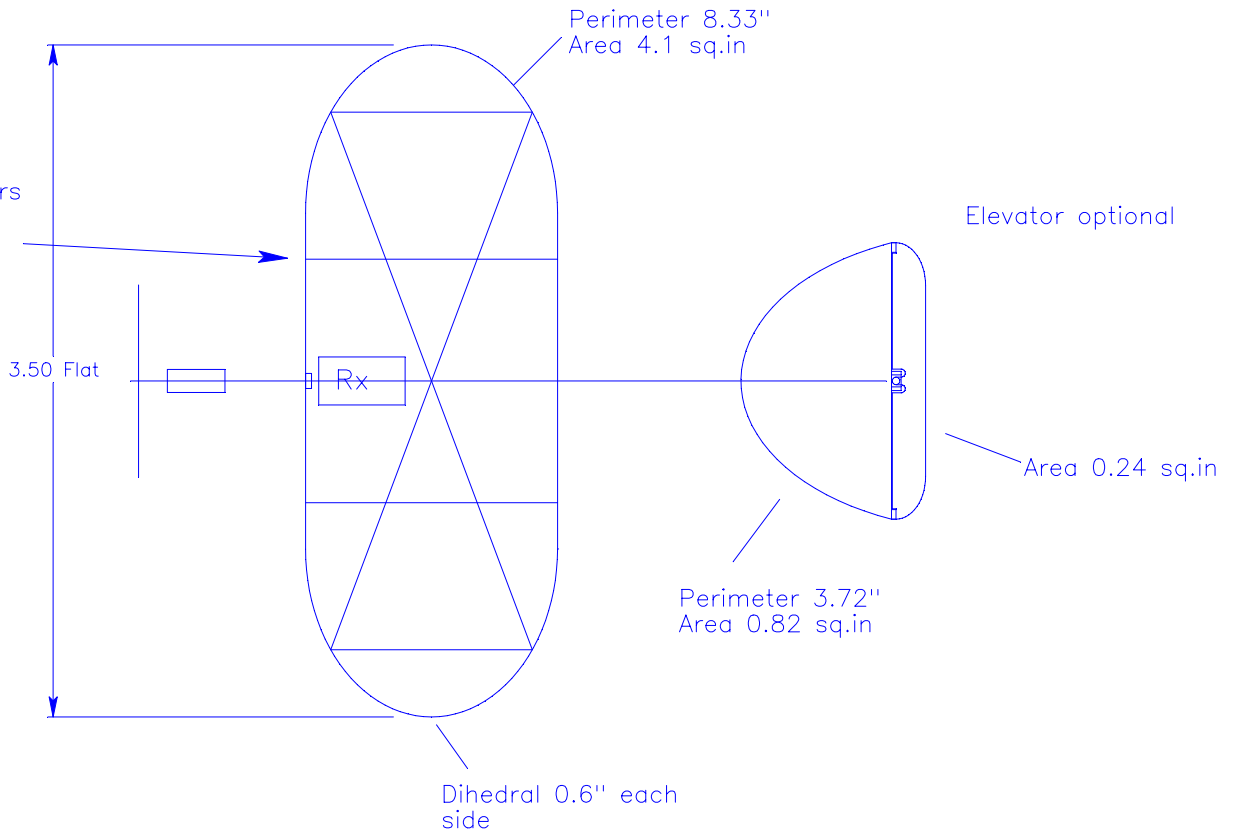
Other framework
 0.005" carbon rod

Front wing post
 1/64" balsa

Rudder and elevator
 1/100" balsa



Shape restrainers
 removed after
 covering



Propellor 1" dia
 x 0.6" pitch